

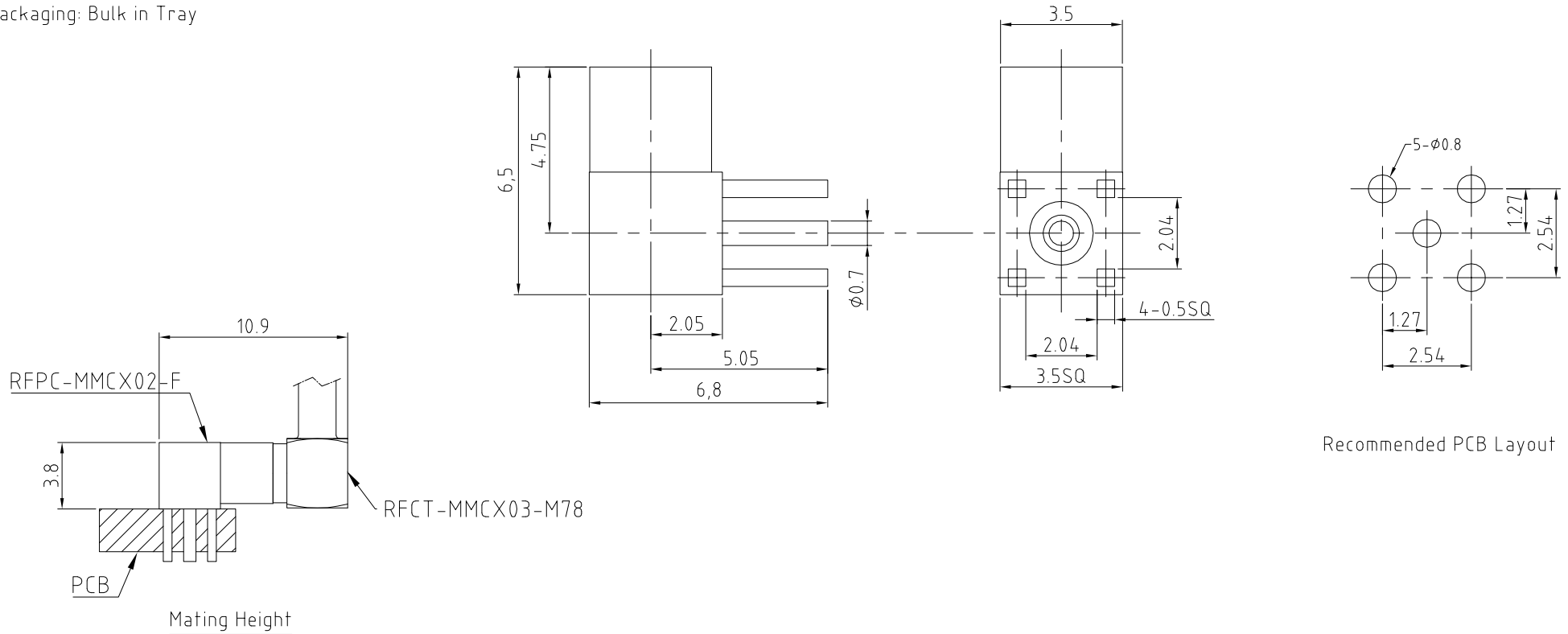
RFPC-MMCX02-F : MMCX Right Angle Jack, PCB Mount Type

Material and Plating:

- Insulator A: Teflon
- Insulator B: Teflon
- Pin: Phosphor Bronze, Gold
- Body: Brass, Gold

Specification:

- Durability: 500 Mating Cycles Min.
- Operating Temperature: -40°C~+125°C
- Working Frequency Range: DC~6GHz
- Impedance: 50 Ohm.
- Packaging: Bulk in Tray



Recommended PCB Layout

|                 |  |
|-----------------|--|
| REV. DATE & DRN | 10 07/02/10 - NYW RELEASE                            |
|                 | 11 25/06/19 - NYW ADD MATING CYCLE & OPERATING TEMP. |
|                 | 12 24/02/20 - NYW ADD MATING HEIGHT DIAGRAM          |
|                 | 13 24/07/20 - NYW ADD OPERATING TEMP.                |
|                 | 14 02/07/21 - NYW ADD IMPEDANCE.                     |

|                  |              |  |   |                      |
|------------------|--------------|--|---|----------------------|
| Scale: NTS       | THIRD ANGLE  | Unstated<br>X<br>.XX<br>.XXX<br>ANGLES | Tolerances:<br>$\pm 0.2$<br>$\pm 0.2$<br>$\pm 0.2$<br>$\pm 5$ | Material<br>SEE NOTE |
| Drawn: NYW       |              |  |   |                      |
| App'd: XXX       | Title JACK   |  |   | NOT TO SCALE         |
| Date: 7 FEB. '23 | Revision: 14 |  |   | Unit: mm             |

www.gradconn.com

© THIS DRAWING IS CONFIDENTIAL AND MUST NOT BE COPIED OR DISCLOSED WITHOUT WRITTEN CONSENT

|                     |
|---------------------|
| Type: RFPC-MMCX02-F |
| RFPC-MMCX02-F       |
| Drawing Number:     |
| Sheet 1 of 1        |
| Drawing © E and O E |